



Picture of the model with CONFORT upholstery

Blood sampling chair
SANA range
SANA-HVH1

CARINA
Medical

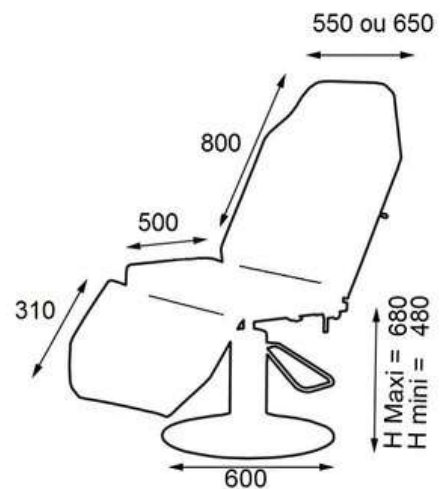


TECHNICAL DETAILS

- 3 sections blood sampling chair with hydraulic height adjustment, swivelling at 360°
- Backrest adjustment with gas jack
- Legrest adjustment with quick, secured and easily adjustable mechanical system
- Trendelenburg position
- Large range of available upholsteries — SERENITY, CONFORT and PREMIUM — All of those certified fire retardant, M1 class
- Equipped with a pair of adjustable arm rests with indexable finger
- Round chromed base

DIMENSIONS

- Width 55 cm or 65 cm in option
- Height adjustment from 48 cm to 88 cm
- Dynamic load capacity :
150 Kg if bought with gas jack backrest
200 Kg if bought with electric backrest and legrest options



You may also like:

Réf. **SANA-HF** : Same as SANA-HVE but with fixed height

Réf. **SANA-HVE** : Same as SANA-HVH but with electric height adjustment



WHAT YOU NEED TO KNOW

- ✓ Delivery time: 15 days from date of order
- ✓ Warranty : 5 years (1 year for the upholstery)

ACCESSORIES



SERENITY
Flat upholstery



CONFORT
Shaped upholstery



PREMIUM
Visco elastic foam upholstery



ACC 110
Arm rest for blood test, with upholstery, the unit, without clamp



ACC 110-ROTULE1
Arm rest for blood test, with upholstery, on ball joint adjustment system, the unit, without clamp



ACC TECH114
Pair of arm rests with one hand adjustment, without clamps



ACC 110 POLY
Arm rest for blood test, in black polyurethane, the unit



ACCACCOU01
Pair of removable arm rests in polyuréthane



ACCCOUSSIN-01
Pillow cushion dim 500 x 400, fire retardant, M1 class



ACC 540 05
Half moon headrest, width 550 mm, fire retardant M1 class



ACC TETERGO
Ergonomic and removable headrest



ACC 537-650
Pair of clamps diam 14mm for arm rests and stirrups, for chairs width 65 cm



ACC 537
Pair of clamps diam 14mm for arm rests and stirrups, for chairs width 55 cm



ACC 105
Pair of standard stainless steel stirrups, diam 14mm, without clamp



ACC 125
Paper roll holder

ACCESSORIES



SLFEMIREPOSE
Cover for leg rest ref
ACC964, Upholstery
colour to be choosed,
the unit



ACC 964
Pair of leg rests, on ball-
joint adjustment system,
in black polyurethane,
diam 14mm, without
clamp



ACC BAVETTE01
Cover upholstery part
between seat rest
and leg rest



ACC080
Stainless steel tray



ACCBACGYNECO
Removable stainless
steel tray for
gynaecology

ACC113U

Pair of handles to help to
sit and get up, without
clamps, ready for use



ACCMUL-320INO1
Infusion stand with
plastic hooks, diam
16mm, without clamp

ACC 514-GOUT

Plastic protection for
arm rest, the unit

ACC 514-ASSISE

Plastic protection
for seatrest, the
unit

ACC 517-512

Plastic protection for
backrest, the unit

ACC 514-JAMBIERE

Plastic protection
for leg rest, the
unit

UPHOLSTERY COLOURS

Fire retardant,
M1 class

Upholstery : Classic range



Upholstery : Urban range



Upholstery : GINKGO range



MAINTENANCE GUIDE

DAILY MAINTENANCE

- Upholstery : Cleaning with soapy water only (no solvents), can be disinfected with products such as Phagosept Spray, Salvanios pH10 at 0.75% and Anios Surfaces Hautes, without abrasive material
- Base : cleaning with soapy water only (no solvents) without abrasive materials

WARRANTY

- Structure : 5 years
- Upholstery : 1 year



CONTACT

CARINA
Médical

Parc d'entreprises Visionis
278 rue de l'industrie 01090
GUÉREINS- FRANCE

COMMERCIAL SERVICE

Tél: +33(0)4 74 66 69 49

Fax: +33(0)4 74 66 69 50
export@carinamedical.com