



*Folding screen*  
**881 range**  
**881 58 12**

**CARINA**  
*Medical*



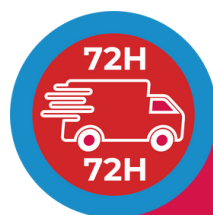
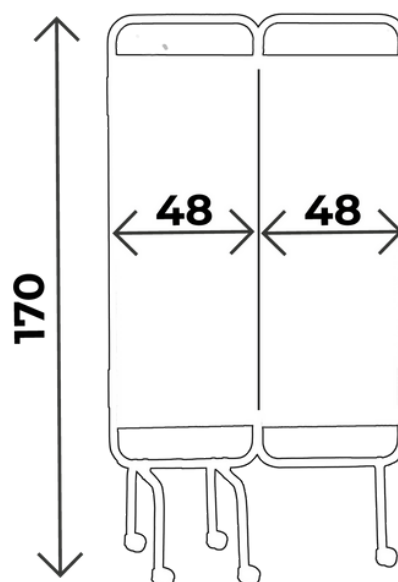
**CE**  
ISO 9001  
ISO 13485

## TECHNICAL DETAILS

- Folding screens with 2 panels
- Panels mounted on hinges
- White PVC, fire retardant M1 class
- Chromed structure
- Equipped with 5 wheels diam. 50mm

## DIMENSIONS

- Panels width 480x480mm
- Unfold length 96cm
- Height 1,7m



### You may also like:

Réf. 881 58 13: Same as 881 58 12 but with 3 panels

Réf. 881 58 14: Same as 881 58 12 but with 4 panels



## WHAT YOU NEED TO KNOW

- ✓ Warranty: 3 years (1 year for the upholstery)



# MAINTENANCE GUIDE

## **DAILY MAINTENANCE**

Upholstery: Cleaning with soapy water only (no solvents), can be disinfected with products such as Phagosept Spray, Salvanios pH10 at 0.75% and Anios Surfaces Hautes, without abrasive material

Base: cleaning with soapy water only (no solvents) without abrasive materials

## **WARRANTY**

3 years

Upholstery: 1 year



CONTACT

CARINA  
*Médical*

Parc d'entreprises Visionis  
278 rue de l'industrie  
01090 GUÉREINS- FRANCE

**COMMERCIAL SERVICE**

Tel: +33(0)4 74 66 69 49  
Fax: +33(0)4 74 66 69 50  
[export@carinamedical.com](mailto:export@carinamedical.com)