



Folding screen
114 range
114 01-PB

CARINA
Medical



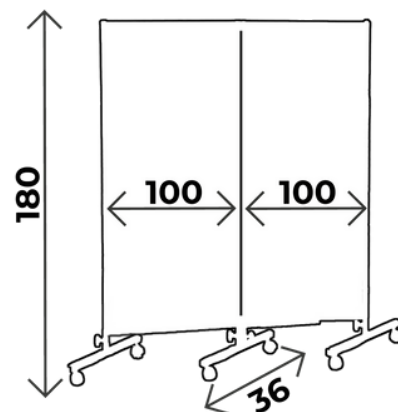
CE
ISO 9001
ISO 13485

TECHNICAL DETAILS

- Folding screens with 2 panels
- Panels mounted on hinges
- White PVC, fire retardant M1 class
- Structure in square steel tubes with epoxy covering, silver or white color (RAL 9003)
- Equipped with 6 wheels diam. 50mm

DIMENSIONS

- Panels width 1000x1000mm
- Unfold length 2m
- Height 1,8m



WHAT YOU NEED TO KNOW

- ✓ Delivery time: 15 days upon receipt of order
- ✓ Warranty: 3 years (1 year for the upholstery)

You may also like:

Réf. 116 01-PB: Same as 114 01-PB but with 3 panels



MAINTENANCE GUIDE

DAILY MAINTENANCE

Upholstery: Cleaning with soapy water only (no solvents), can be disinfected with products such as Phagosept Spray, Salvanios pH10 at 0.75% and Anios Surfaces Hautes, without abrasive material

Base: cleaning with soapy water only (no solvents) without abrasive materials

WARRANTY

3 years

Upholstery: 1 year



CONTACT

CARINA
Médical

Parc d'entreprises Visionis
278 rue de l'industrie
01090 GUÉREINS- FRANCE

COMMERCIAL SERVICE

Tel: +33(0)4 74 66 69 49
Fax: +33(0)4 74 66 69 50
export@carinamedical.com